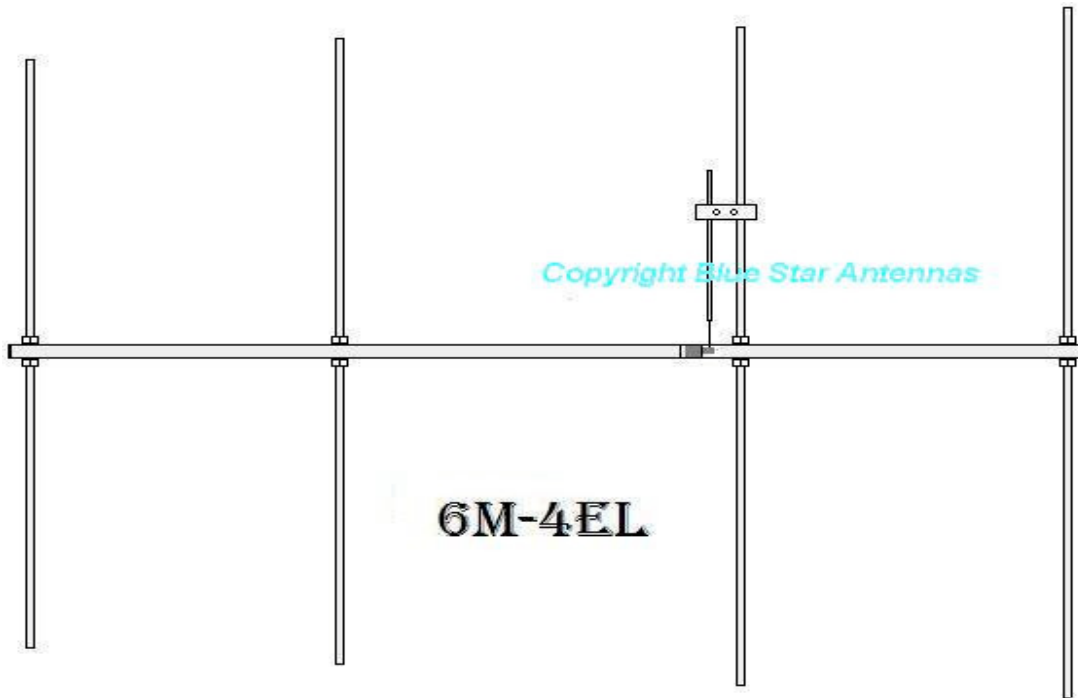


BLUE STAR ANTENNAS

6M-4EL

INSTRUCTIONS AND USE



**"This Antenna conducts electricity Keep away from Power lines"
All ways use safe instillation practices, do not install any antenna on a mast
or tower with in 1 and $\frac{1}{2}$ times the falling distance to any electrical lines!**

Your Element 4 YAGI allows for mounting in, Vertical or Horizontal Polarization.

POLARIZATION

You must decide on a mounting position. Prior to assembling the boom.

FEEDLINE

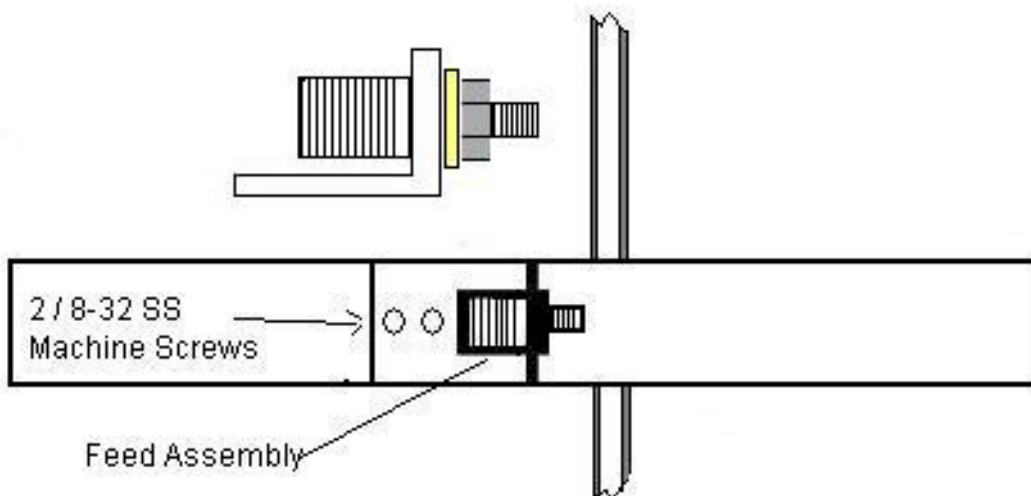
We recommend you use the best quality feed line possible. This will allow the best possible performance

Assemble the boom As pictured

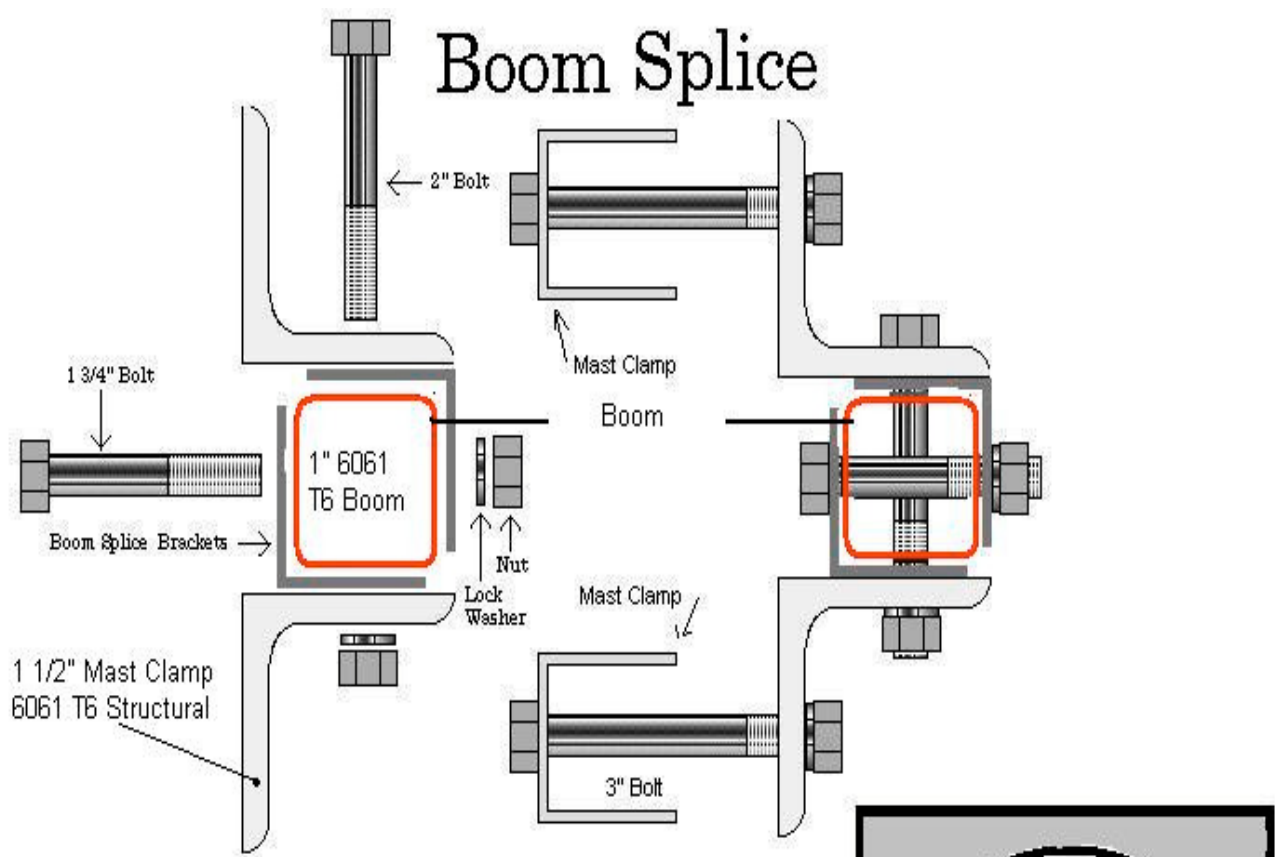
IMPORTANT

Do not remove the red plastic retainers until you install an element in the opposing hole!

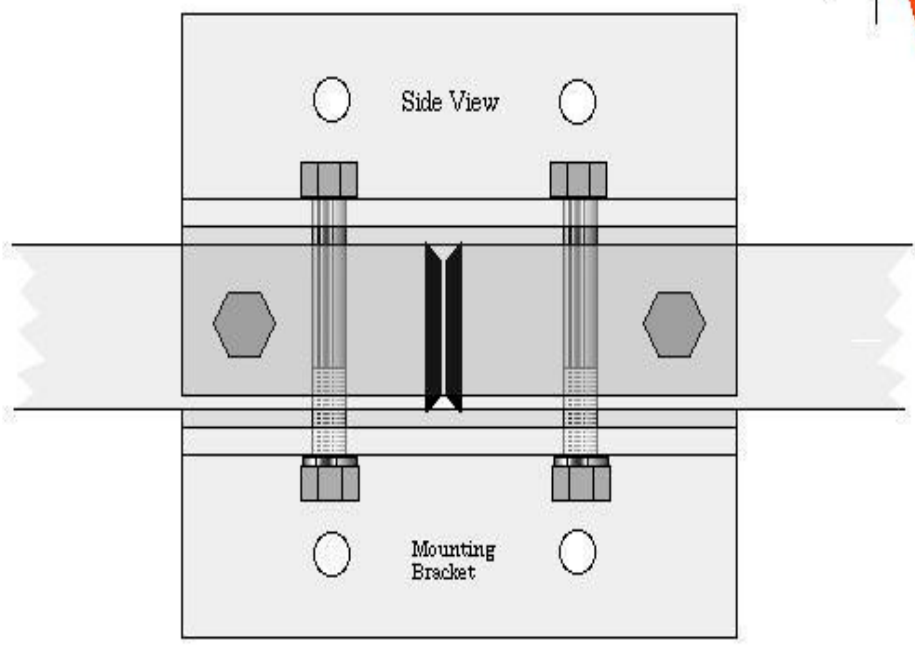
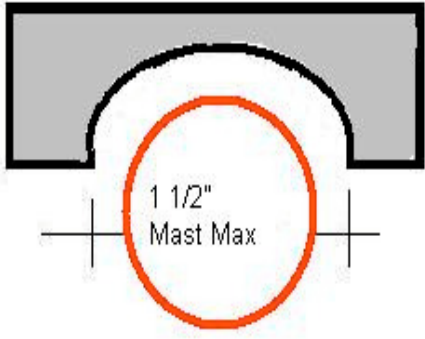
- Lay out the element in pairs according to size.
- Screw 1 of the element pairs into proper hole in the boom.
- **Be careful not to cross thread the element.**
- Remove the red plastic retainer and install the opposing element.
- Tighten with 2 - 9/16 wrenches
- **Do not over tighten and strip the threads.**
- Repeat for each set of elements.
- Attach the Feed angle to the boom with the 8-32 SS Screws.
- Assemble the Gamma Feed as pictured.

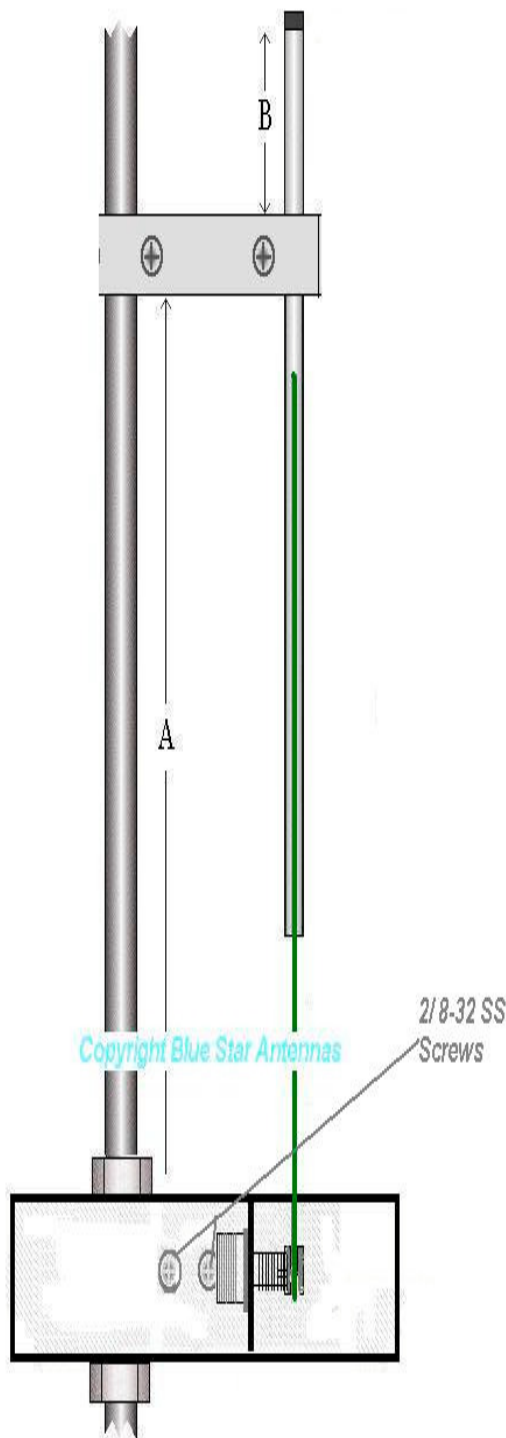


Boom Splice



Copyright Blue Star Antennas



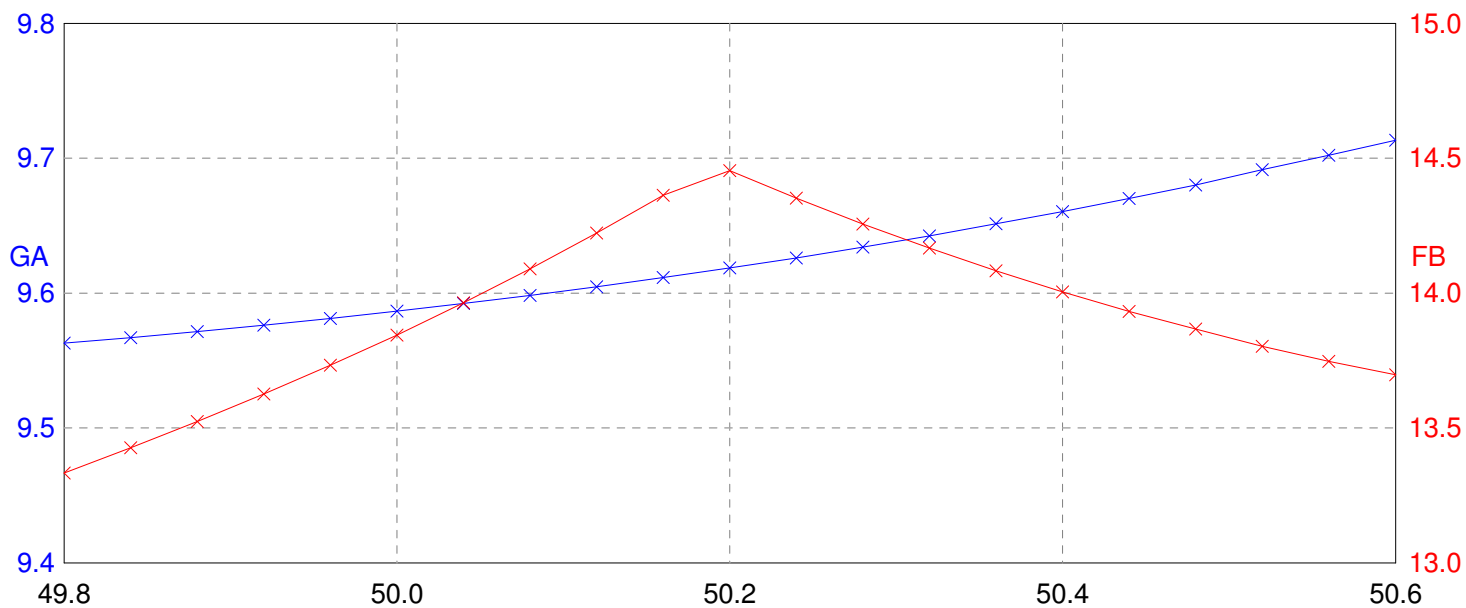
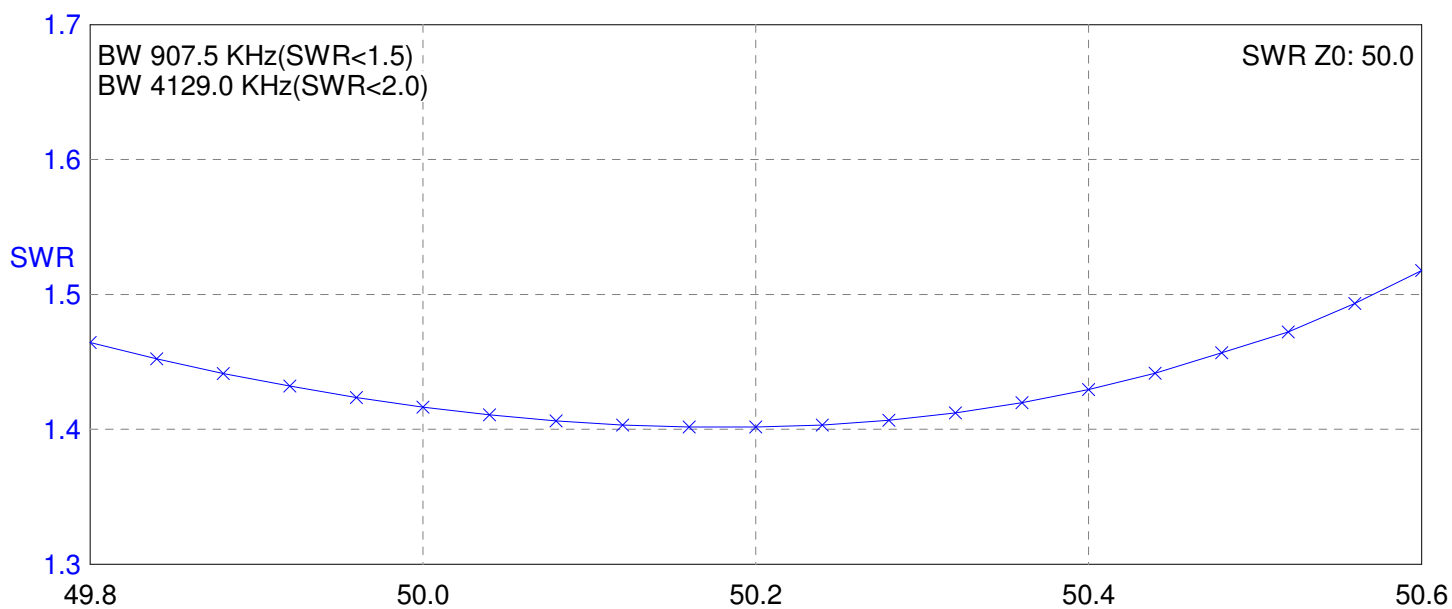
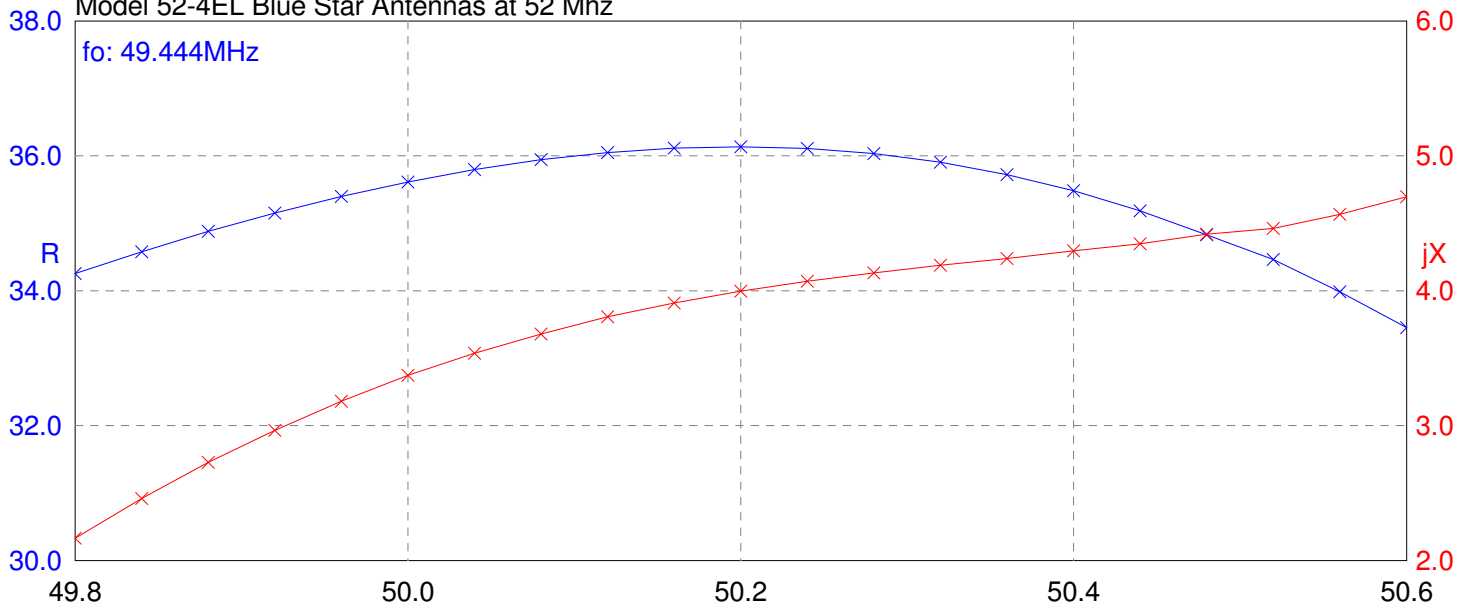


Center Frequency	A	B
50 - 51	12 ½"	7 ½"
51 - 52	16"	4"
52 - 53	22"	0"

The lengths of "A" & "B" should be what ever it takes to get the lowest SWR. On the portion of the band you plan to work. Tune the antenna approx 5-6 ft off the ground, away from metal objects. SWR usually goes doe even more when the antenna is elevated.

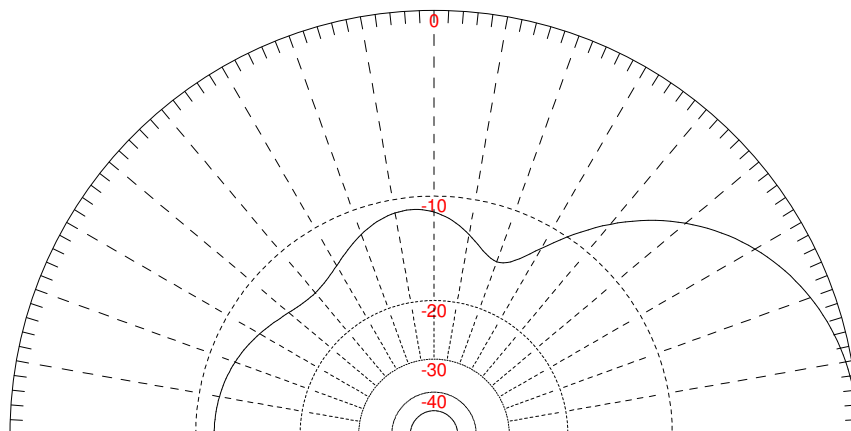
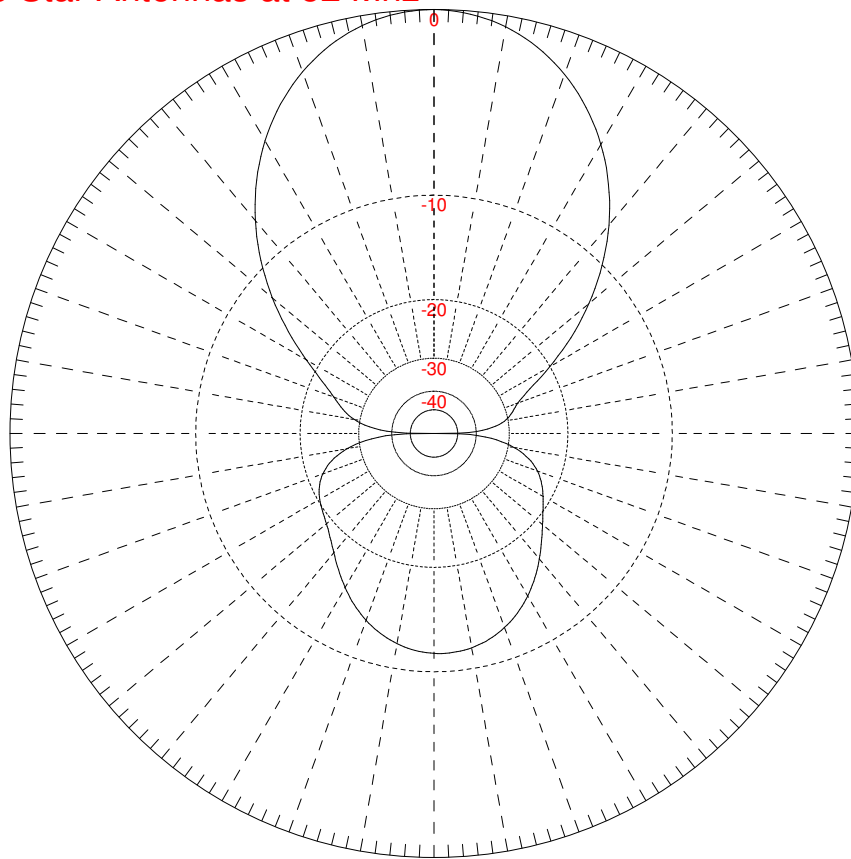
A & B both affect SWR
 A effects the frequency
 B Affects the SWR

MMANA-GAL v. 1.1.0.10
 Model 52-4EL Blue Star Antennas at 52 Mhz



MMANA-GAL v. 1.1.0.10

Model 52-4EL Blue Star Antennas at 52 Mhz



Ga : 9.65 dBi = 0 dB (Horizontal polarization)
Gh : 7.5 dBd
F/B: 11.37 dB; Rear: Azim. 120 dg, Elev. 60 dg
Freq: 52.000 MHz
Z: 39.178 - j6.437 Ohm
SWR: 1.3 (50.0 Ohm), 15.3 (600 Ohm)
Elev: 0.0 dg (Free space)

MMANA-GAL v. 1.1.0.10
Model 52-4EL Blue Star Antennas

