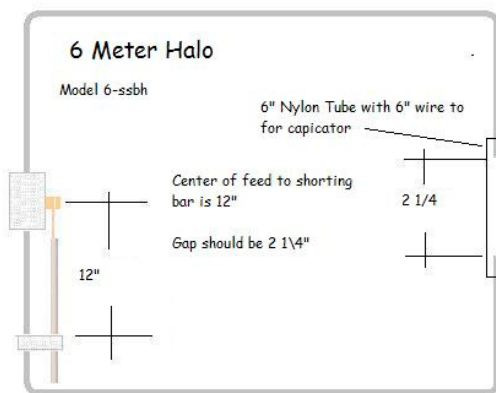




6 Meter SSB Squalo / Halo

This antenna is designed for the SSB portion of the 6 meter band.

This antenna was pre assembled and tested, before packaging. Elements are marked gamma side goes into the right side of the assembly block and is marked with the tuned gamma point.



Assembly

- Attach the 2 elements into the assembly block and secure with the 8-32X 1/2 SS Screws Located in the elements.
- Attach the gamma match wire and tube to the feed. Attach the Shorting Bar at the scribed mark. 12" from the center of the feed.
- Attach the support rod Bracket with the bolts supplied into the assembly block.
- Check SWR and enjoy!
- Slide the 6" Nylon tube And 8 " Heat Shrink tube over gap end.
- Adjust gap to 2 1/4" carefully slide the heat shrink tube over nylon tube insert the 6" wire to form the capacitor.
- Slide the wire left or right to adjust the frequency and SWR.
- Gamma match also affects tuning.

Tip:

Don't seal the heat shrink until you are satisfied with the tuning and swr. Use electrical tape to seal ends temporarily. Antenna was tuned to 1.7:1 prior to packaging; your setup should be very close.

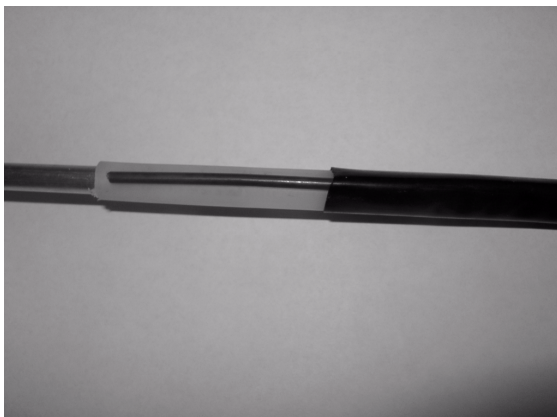
Model 6SSBH

Parts

- 2 3/8" Aluminum loops halves Right Side marked for shorting bar and Left side
- 1 3/4" X 2" Assembly Block
- 2 8-32 3/8 X 1/2 18-8 SS Machine Screws to secure Elements into Block
- 2 8-32 X 1/4 18-8 SS Machine Screws to attach feed to block
- 1 SO-239 feed assembly
- 1 Shorting bar
- 1 Gamma tube with wire
- 1 6" nylon tube
- 1 6" Wire
- 1 8" heat shrink tube
- 1 Bracket assembly



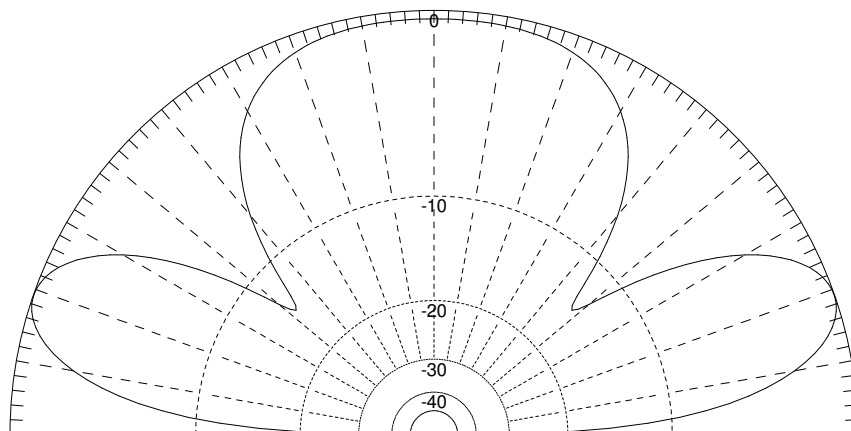
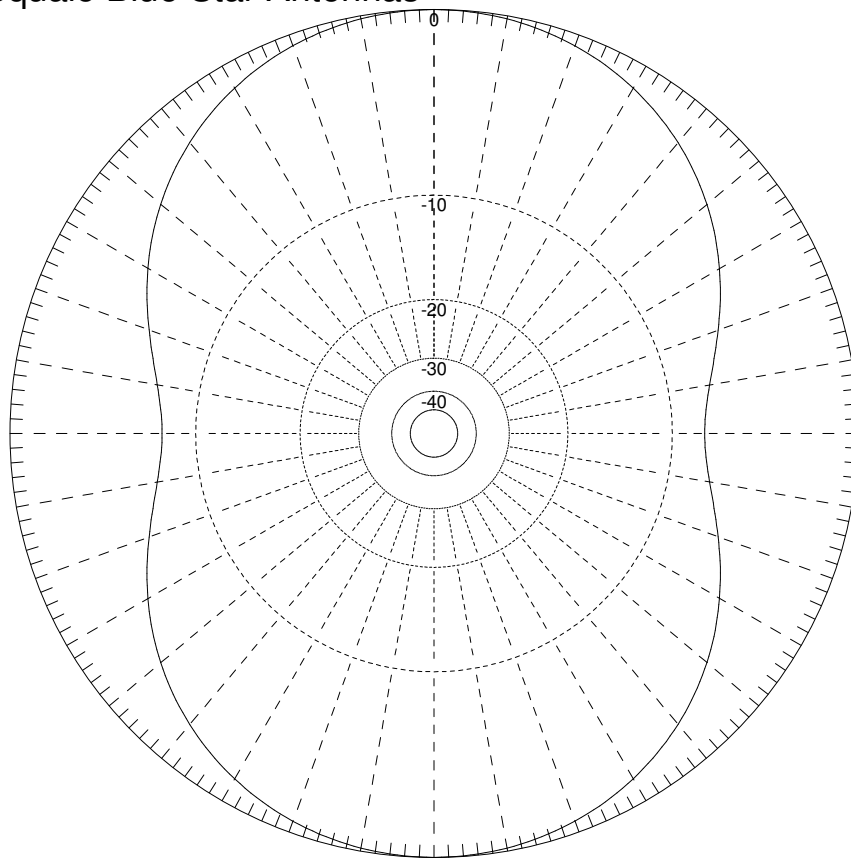
Attach the Shorting Bar at the scribed mark. 12" from the center of the feed.



- Slide the 6" Nylon tube And 8 " Heat Shrink tube over gap end.
- Adjust gap to 2 1/4" carefully slide the heat shrink tube over nylon tube insert the 6" wire to form the capacitor.
- Slide the wire left or right to adjust the frequency and SWR.
- Gamma match also affects tuning.

MMANA-GAL v. 1.1.0.10

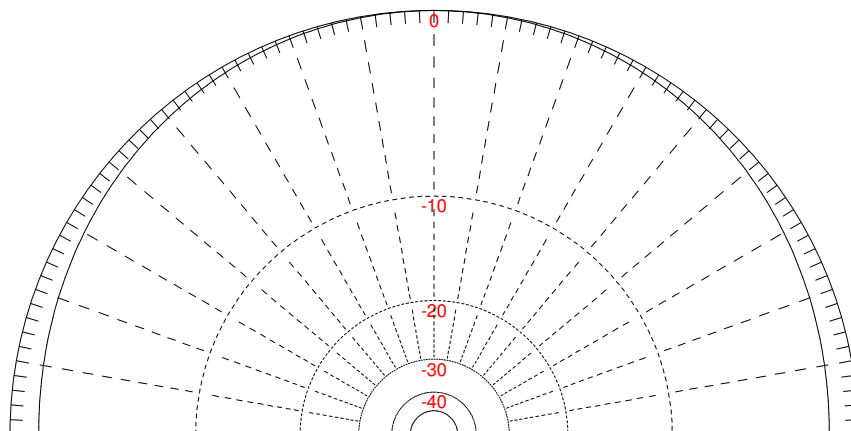
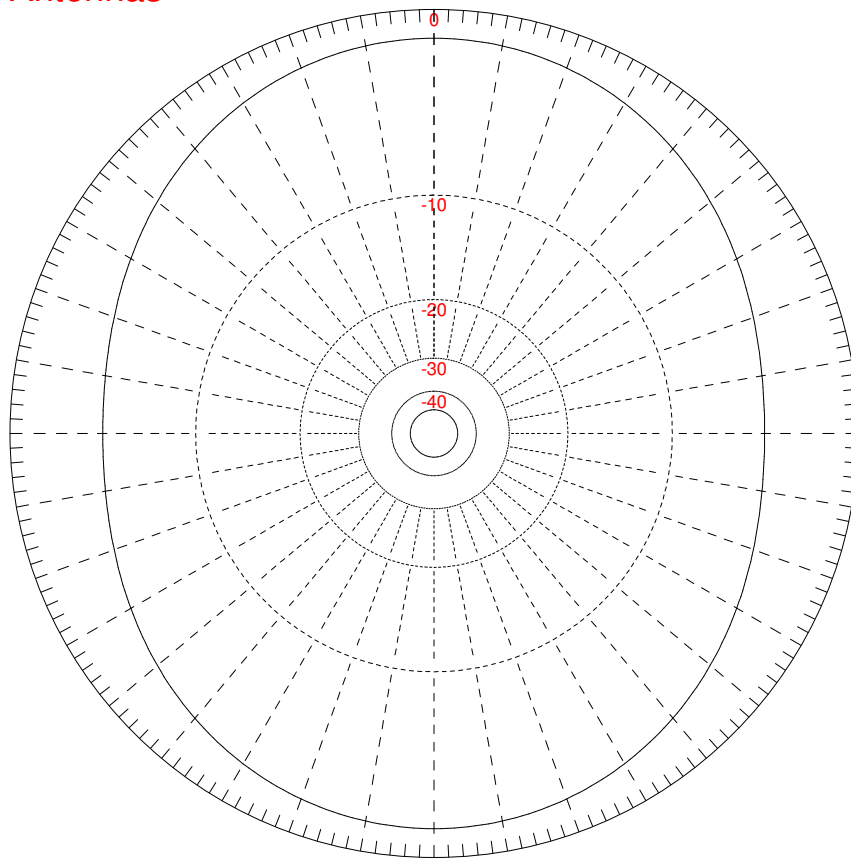
6m-ssbh 6 Meter Squalo Blue Star Antennas



Ga : 5.72 dBi = 0 dB (Horizontal polarization)
F/B: 0.00 dB; Rear: Azim. 120 dg, Elev. 60 dg
Freq: 50.200 MHz
Z: 33.962 - j3.936 Ohm
SWR: 1.5 (50.0 Ohm), 17.7 (600 Ohm)
Elev: 19.3 dg (Real GND :5.00 m height)

MMANA-GAL v. 1.1.0.10

6m-ssbh Blue Star Antennas



Ga : 1.55 dBi = 0 dB (Horizontal polarization)
Gh : -0.6 dBd
F/B: -0.96 dB; Rear: Azim. 120 dg, Elev. 60 dg
Freq: 50.200 MHz
Z: 30.758 - j1.521 Ohm
SWR: 1.6 (50.0 Ohm), 19.5 (600 Ohm)
Elev: 90.0 dg (Free space)
(For elev. angle 0.0 dg Peak:0.3 dBi)

MMANA-GAL v. 1.1.0.10
6m-ssbh Blue Star Antennas

