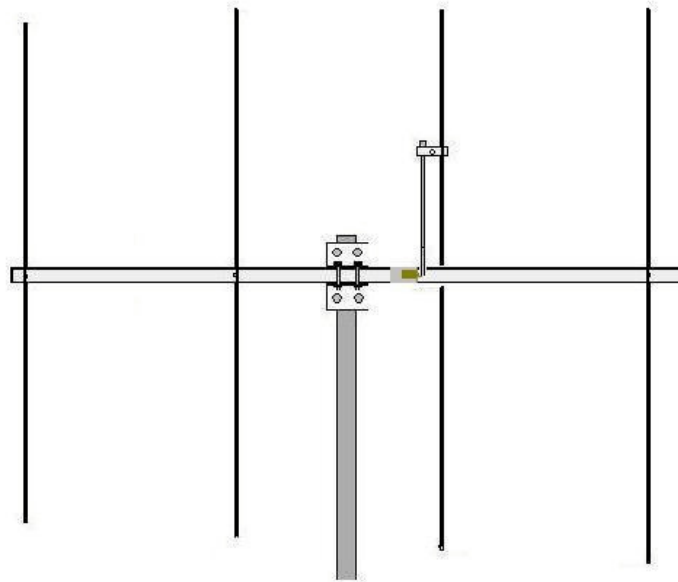


BLUE STAR ANTENNAS
CATEGORY 5
ULTRA HEAVY DUTY MODEL 2M-4EL
INSTRUCTIONS AND USE



"This Antenna conducts electricity Keep away from Power lines"
All ways use safe instillation practices, do not install any antenna on a mast
or tower with in 1 and $\frac{1}{2}$ times the falling distance to any electrical lines!

POLARIZATION

You must decide on a mounting position.

Your Element 5 YAGI allows for mounting in, Vertical or Horizontal Polarization.

FEEDLINE

Pay close attention to the feedline you use at VHF frequencies. Much of the regular RG-8X coax has too much loss at VHF frequencies RG-58/U lengths over 50 ft is usually not recommended. Any gain realized from the antenna could easily be lost with poor coax.

RG-213 or 9913 is Recommended.

IMPORTANT

Take all of the $\frac{1}{4}$ " Round elements and screw in one of the 4-40 x3/4" Stainless Steel screws in to the center of each element. This is to make sure all the elements are threaded properly and that the screws start easily. Lay out the elements according to size. The dimensions and position of all the elements are shown. Attach all the elements to the boom as shown.

CAUTION

Do NOT over tighten the screws this will bend the elements. Turn the screw until its just snug and then $\frac{1}{4}$ turn more

Trouble Shooting High SWR

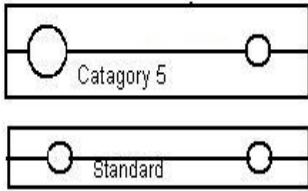
Test the SWR with a good UHF SWR Meter and HF meter will show higher than real SWR.

Replace the antenna with a 50-OHM dummy load.

If the swr is greater than 1:1 Replace the coax or connectors and test again.

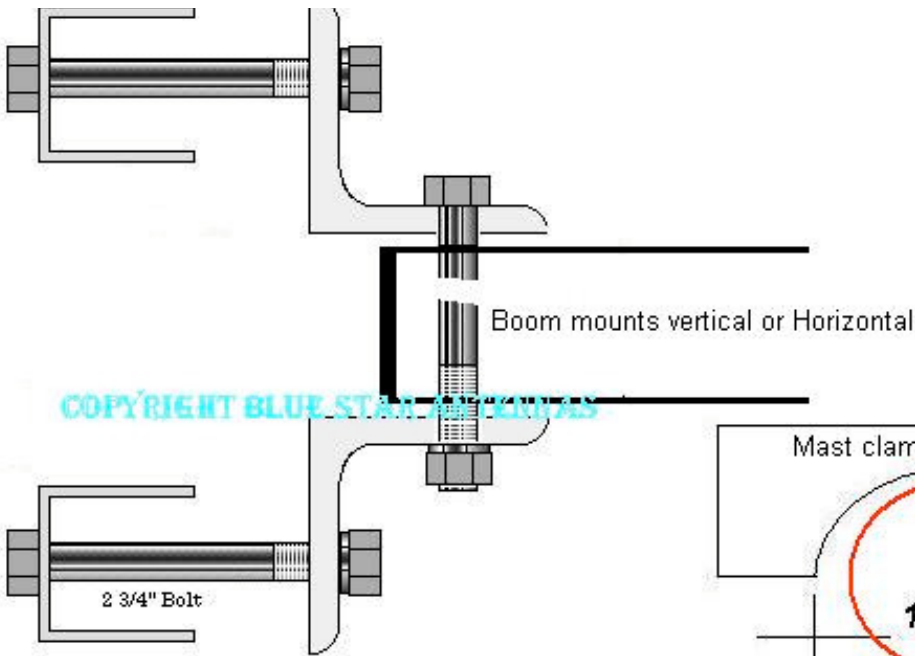
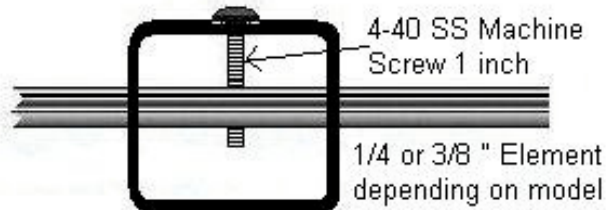
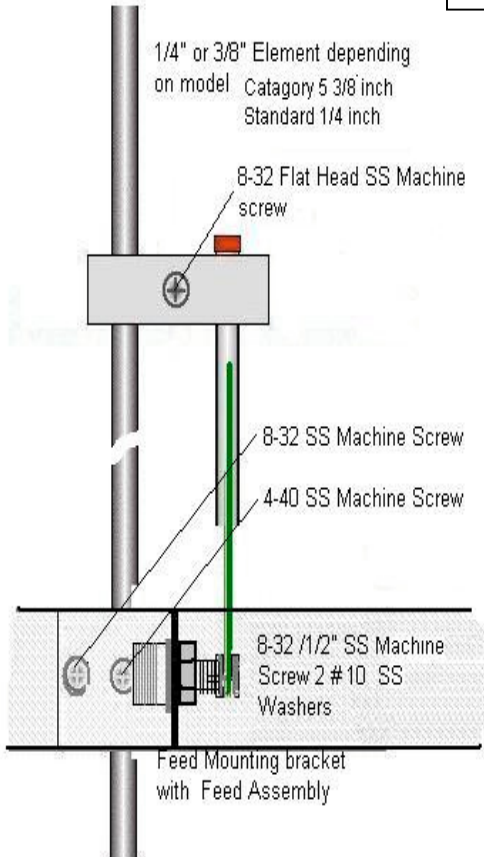
Blue Star Antennas

Assumes no responsibility for injury or damage,
Resulting from the use or instillation of this antenna!



Shorting Bar depending on model

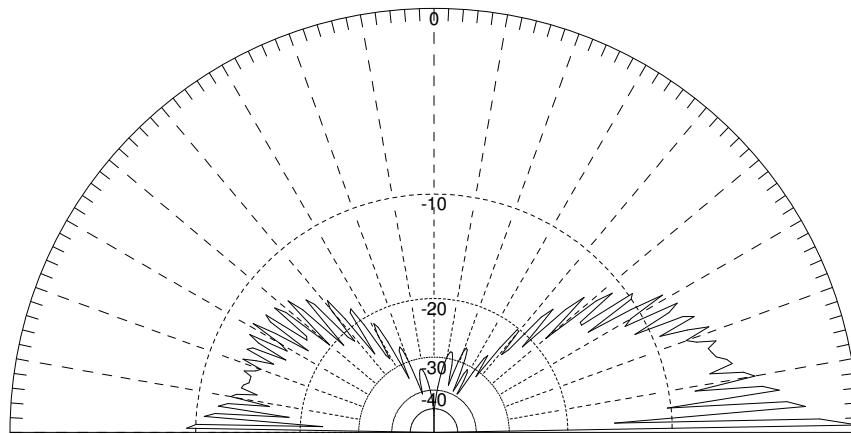
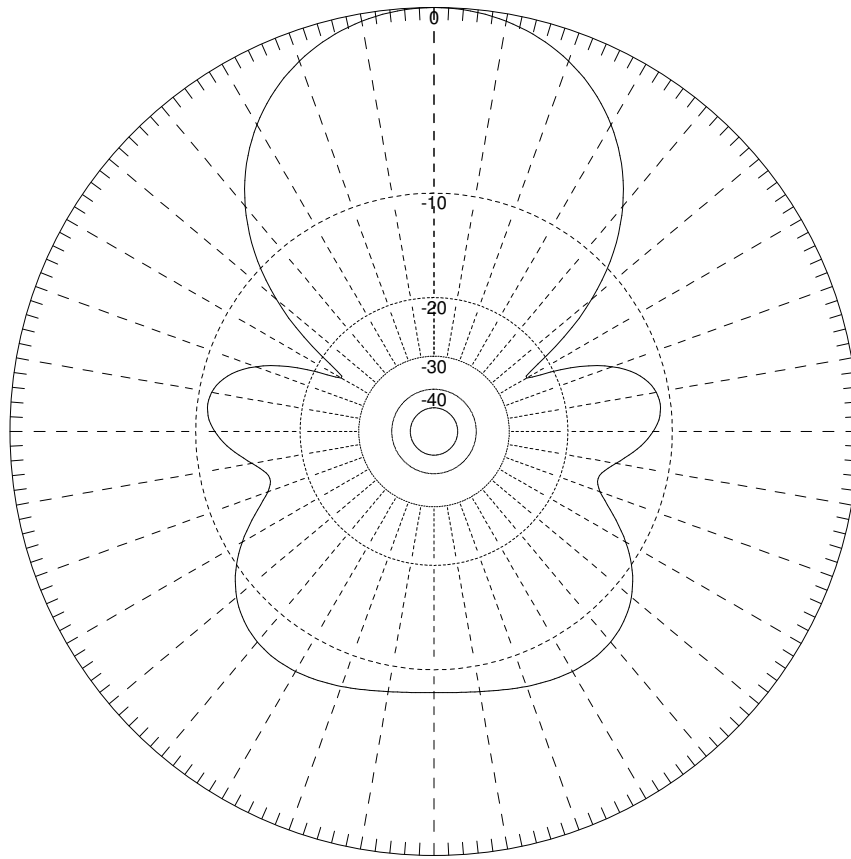
Adjust Gamma Match as necessary to attain the lowest SWR. A good starting place is from the center of the feed to the shorting bar 6 inches. Adjust the tube as needed. If mounting Vertical Place as pictured Gamma Assembly up.



COPYRIGHT BLUE STAR ANTENNAS

MMANA-GAL v. 1.1.0.10

Category 5 2M-4EL: Blue Star Antennas



Ga : 14.86 dBi = 0 dB (Vertical polarization)
F/B: 7.35 dB; Rear: Azim. 120 dg, Elev. 60 dg
Freq: 145.000 MHz
Z: 44.214 + j5.934 Ohm
SWR: 1.2 (50.0 Ohm), 13.6 (600 Ohm)
Elev: 1.4 dg (Real GND :20.00 m height)

MMANA-GAL v. 1.1.0.10
 Category 5 2M-4EL: Blue Star Antennas

